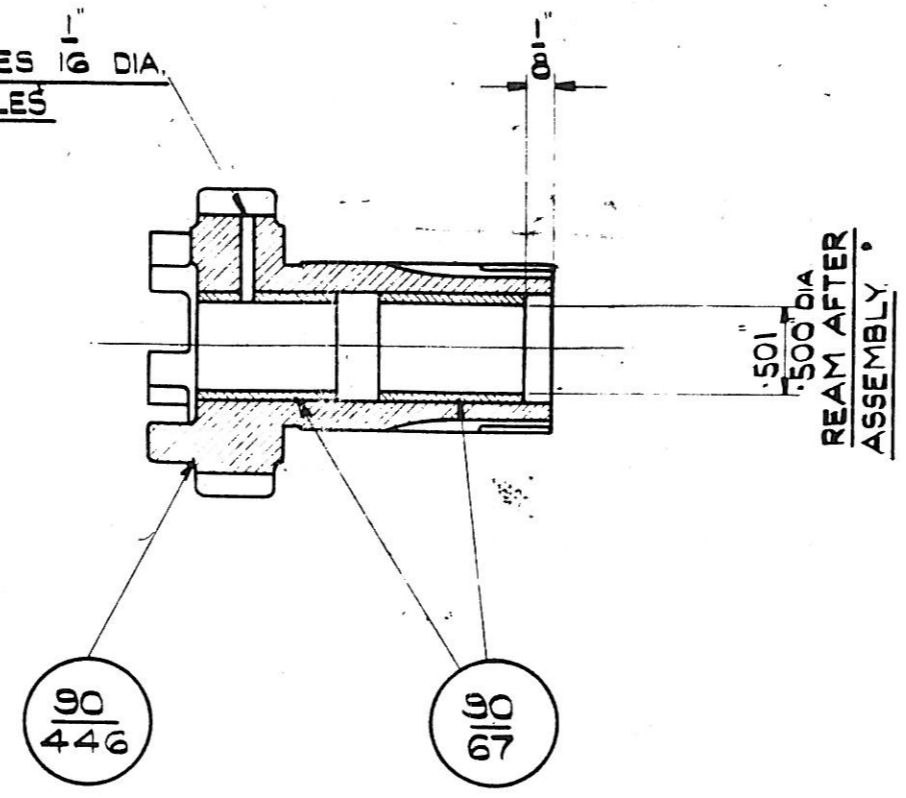


IMPORTANT NOTES

DRILL 3 HOLES $\frac{1}{16}$ " DIA.
THROUGH HOLES
IN GEAR.



90
446

90
617

.501"
.500" DIA
REAM AFTER
ASSEMBLY

DATE	23.5.51
AUTHOR	D.D.O.
MADE BY	B.S.
DETAIL	TWO BUSHES
	90-67 WERE
	90-65 IN ERROR.
REVISIONS	

MATERIAL		Nº PER SET																		
DRAWN BY	B.S	MODELS																		
TRACED BY	I.C.Y. 13.11.52	THE BIRMINGHAM SMALL ARMS CO LTD.																		
CHECKED BY		TITLE:- <u>MAINSHAFT PRIMARY GEAR COMPLETE WITH BUSHES.</u>																		
APPROVED BY		<u>90-474</u>																		
DATE	18.4.51																			

D.M.C.